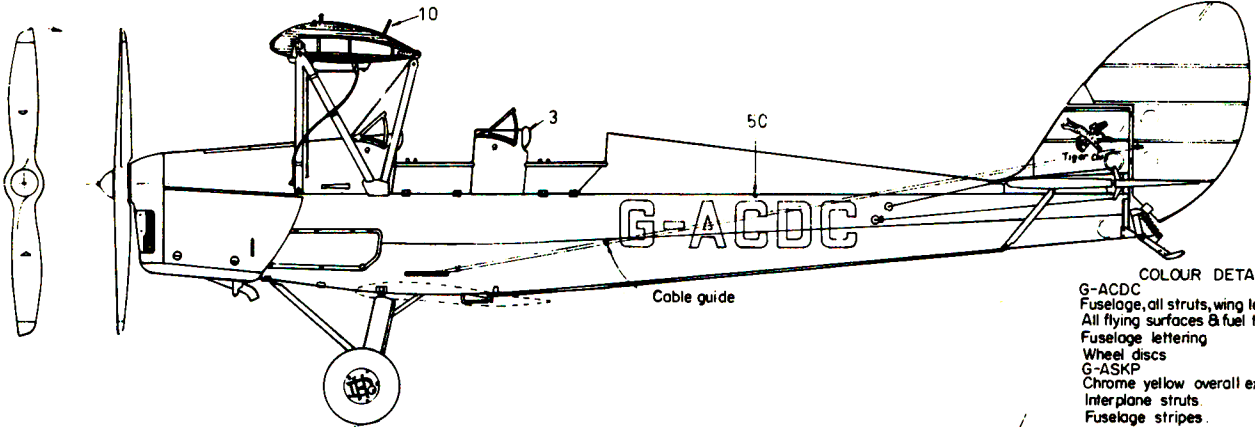
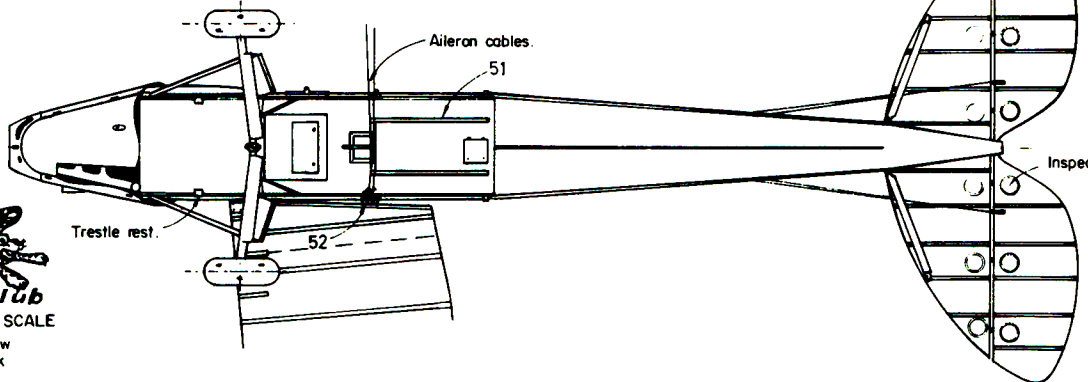
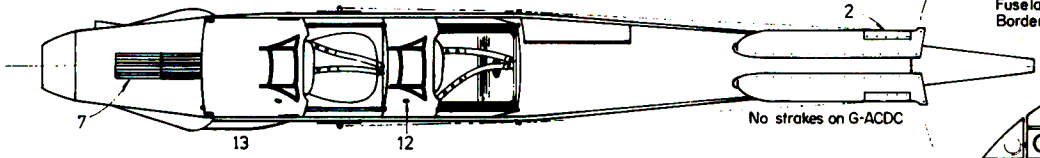


**SPECIFICATION**

Span 29' 4"	Normal weight 1,650 lb.
Length 23' 11"	Maximum weight 1,825 lb.
Height 8' 9 1/2"	Maximum speed (Sea level) 110 mph.
Chord 4' 4 3/8"	Cruising speed (at 1,000 ft) 94 mph.
Tailplane span 9' 10"	Range (19 gall. tank) 302 miles.
Track 5' 3"	Stalling speed 43 mph.
Wing area 239 sq. ft.	Rate of climb (Sea level) 798' min.
Airscrew 6' 4" dia.	Service ceiling 15,800 ft.

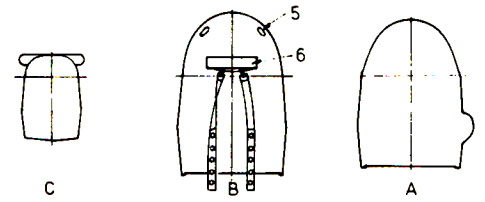
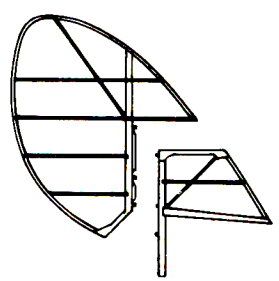
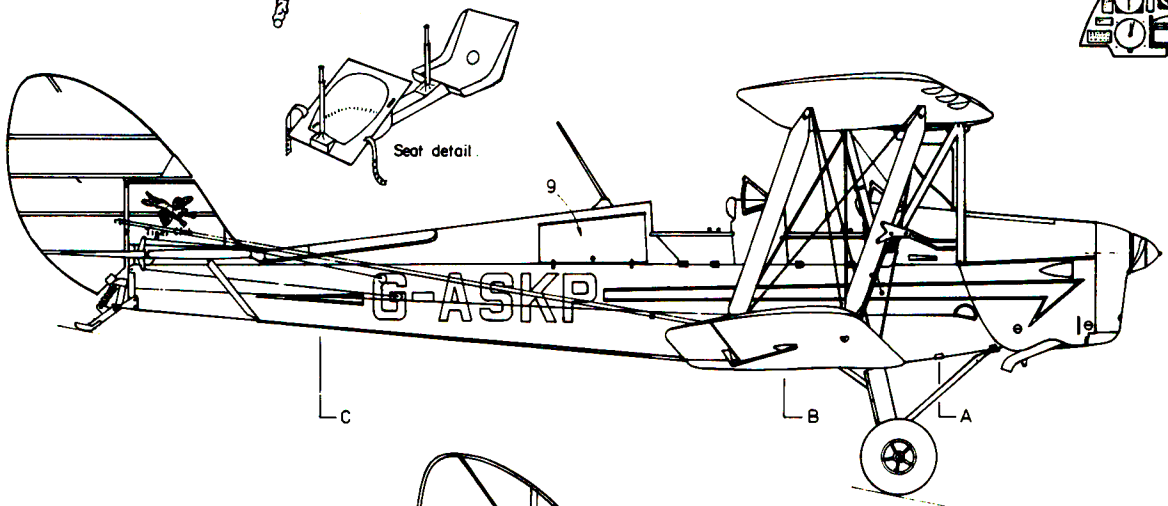
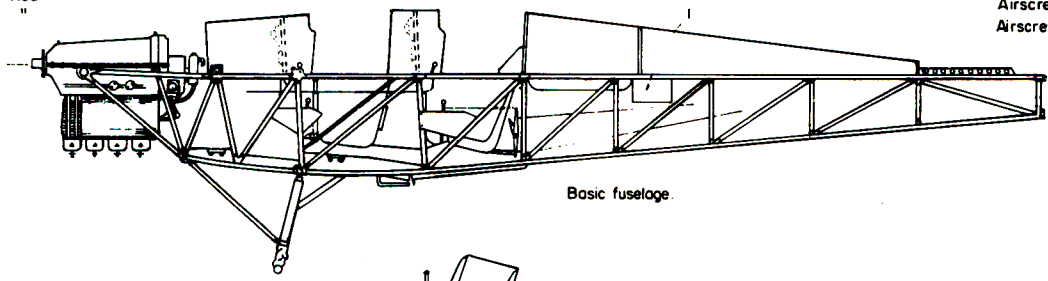


**COLOUR DETAILS**  
 G-ACDC  
 Fuselage, all struts, wing lettering, Dark Red  
 All flying surfaces & fuel tank Silver  
 Fuselage lettering White  
 Wheel discs Silver  
 G-ASKP  
 Chrome yellow overall except Interplane struts. Mid. Blue  
 Fuselage stripes. "  
 All lettering. "  
 Fuselage underside & U/C legs Black  
 Border of fuselage stripe White



**Tiger Club**  
 BADGE TO 1/8 SCALE  
 Tiger Yellow  
 Stripes Black  
 Wings "  
 Wing spots White  
 Tongue Red  
 Lettering "

Cockpit interior - - - - Dull Green.  
 Airscrews - - - - Grey  
 Airscrew tips. - - - - Yellow.



**Acknowledgements**  
 George Cox for the original drawings,  
 Peter Harrison, Maurice Brett, Stuart  
 McKay, M. Gambrell and M.J. Abbott for  
 additional detail and checking - and to all  
 Tiger Moth owners for keeping them flying.